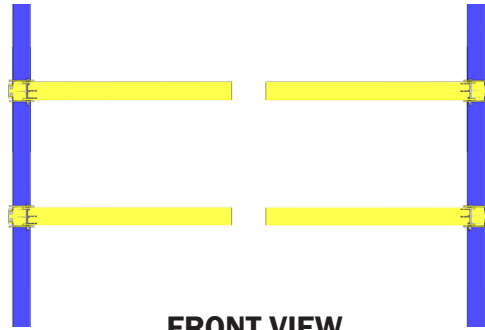


FINGER GATE MEASURING GUIDE

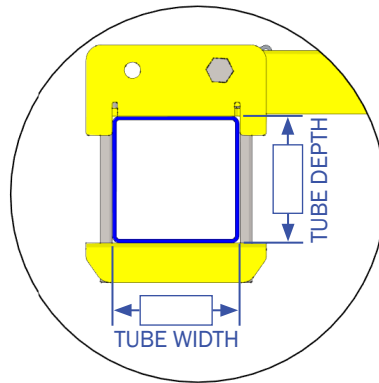


1150 S. 48TH STREET, GRAND FORKS, ND 58201
Phone: 701.746.4519 | **Toll Free:** 877.446.1519
Website: pssafetyaccess.com
Email: 4psinfo@psindustries.com

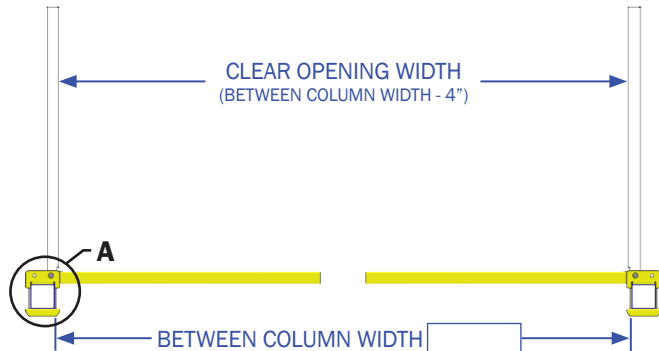
PICKSAFE™ Finger Gate



FRONT VIEW



DETAIL A



TOP VIEW

QUOTATION REQUESTED

FINGER GATE ORDER

SOLD/QUOTE TO:

NAME:	
COMPANY:	
ADDRESS:	
CITY, STATE, ZIP:	
PHONE:	FAX:
EMAIL:	

SHIP TO:

NAME:	DATE:
ADDRESS:	P.O.#:
CITY, STATE, ZIP:	TAG:
PHONE:	SHIP VIA:

PROJECT INFO:

PROJECT NAME:	
TUBE WIDTH: (inches)	TUBE DEPTH: (inches)
BETWEEN COLUMN WIDTH: (inches)	

FINISH OPTION:

POWDER COAT SAFETY YELLOW (STANDARD) CUSTOM COLOR (POWDER COAT)

END GATE:

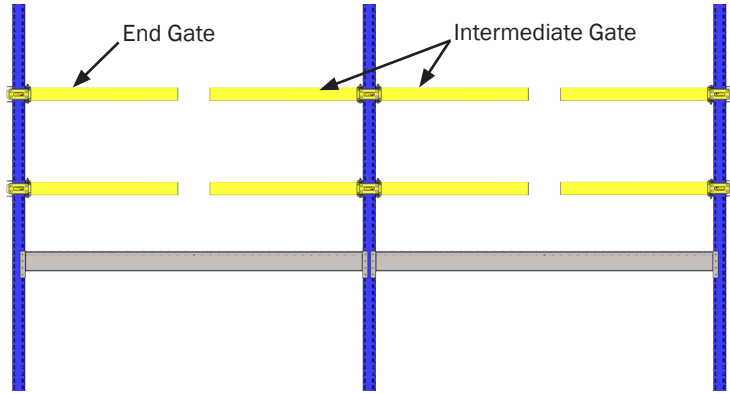
QUANTITY:

INTERMEDIATE GATE:

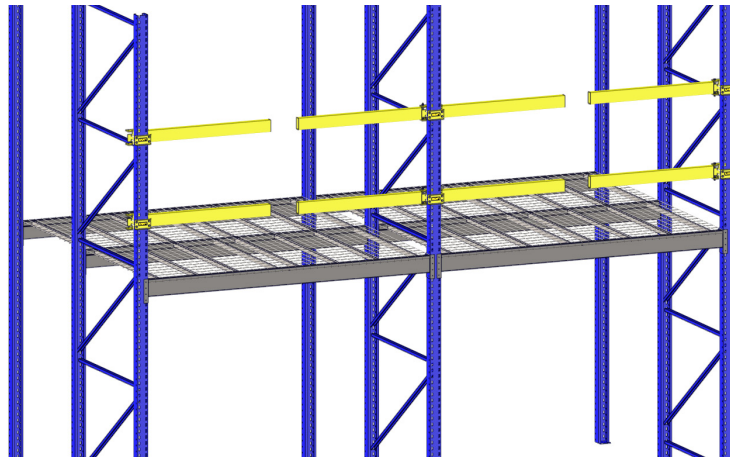
QUANTITY:

***For orders or product inquiries please email 4psinfo@psindustries.com**

FINGER GATE REFERENCE - TWO ROWS



FRONT VIEW



ISO VIEW

END GATE:



QUANTITY:

4

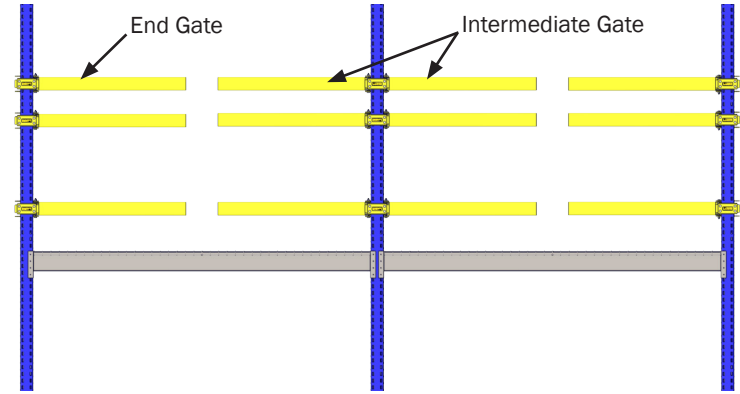
INTERMEDIATE GATE:



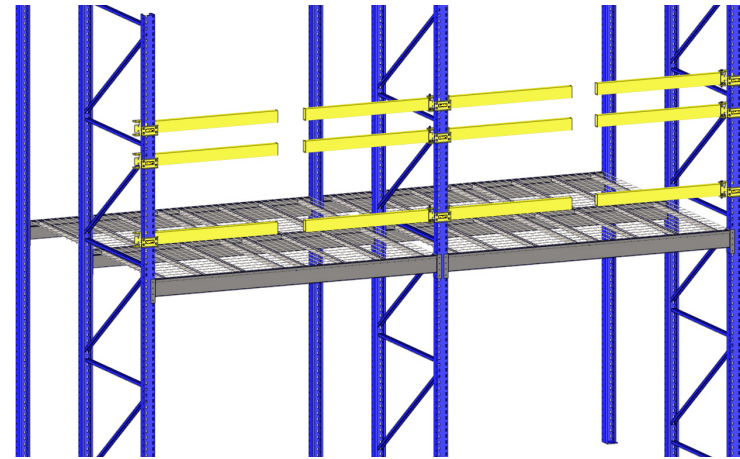
QUANTITY:

2

FINGER GATE REFERENCE - THREE ROWS



FRONT VIEW



ISO VIEW

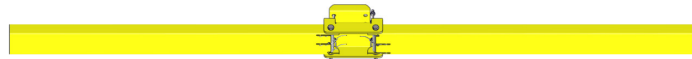
END GATE:



QUANTITY:

6

INTERMEDIATE GATE:



QUANTITY:

3