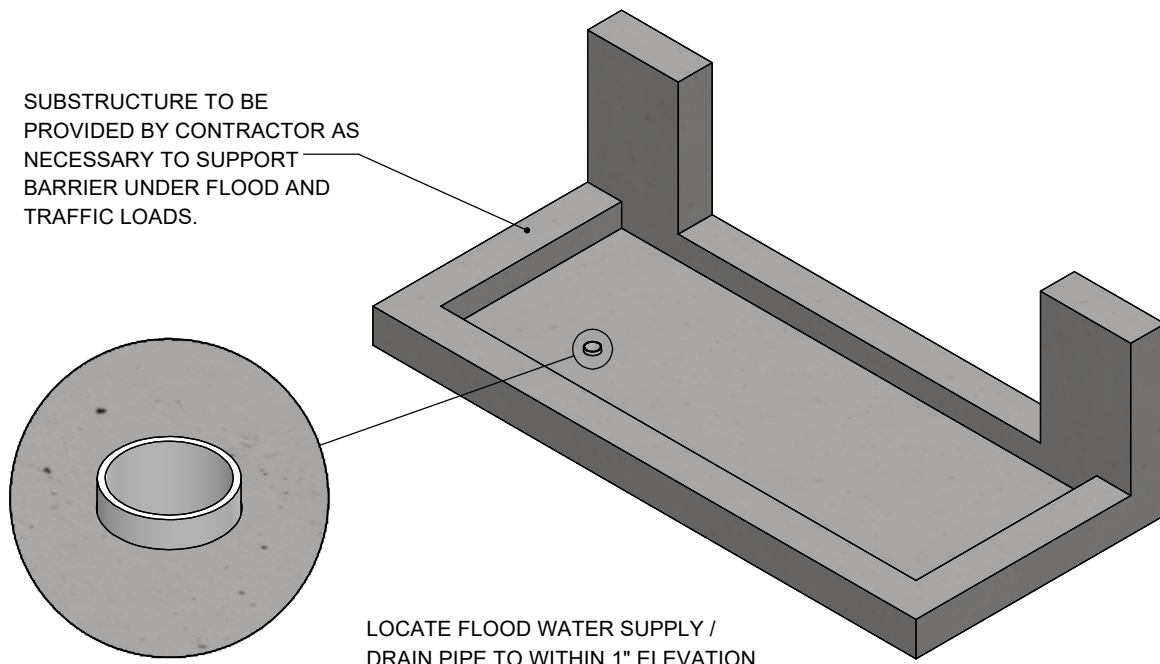


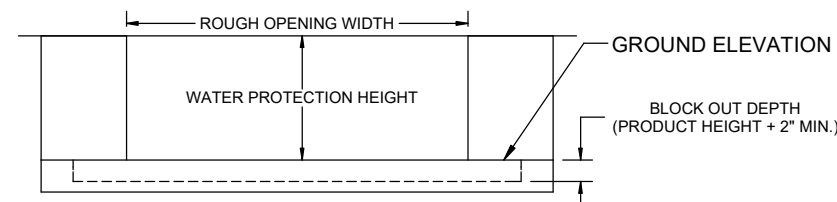
STEP 1: PREPARE SITE FOR INSTALLATION.



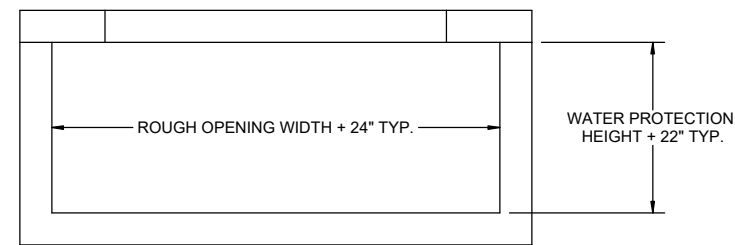
DETAIL 1A

LOCATE FLOOD WATER SUPPLY / DRAIN PIPE TO WITHIN 1" ELEVATION AND 1 1/2" HORIZONTAL OF GIVEN LOCATION. LOCATION SHOWN IS GENERIC AND CAN BE MOVED UPON REQUEST.

MINIMAL TOOLS ARE REQUIRED FOR INSTALLATION



EXISTING SUBSTRUCTURE - FRONT



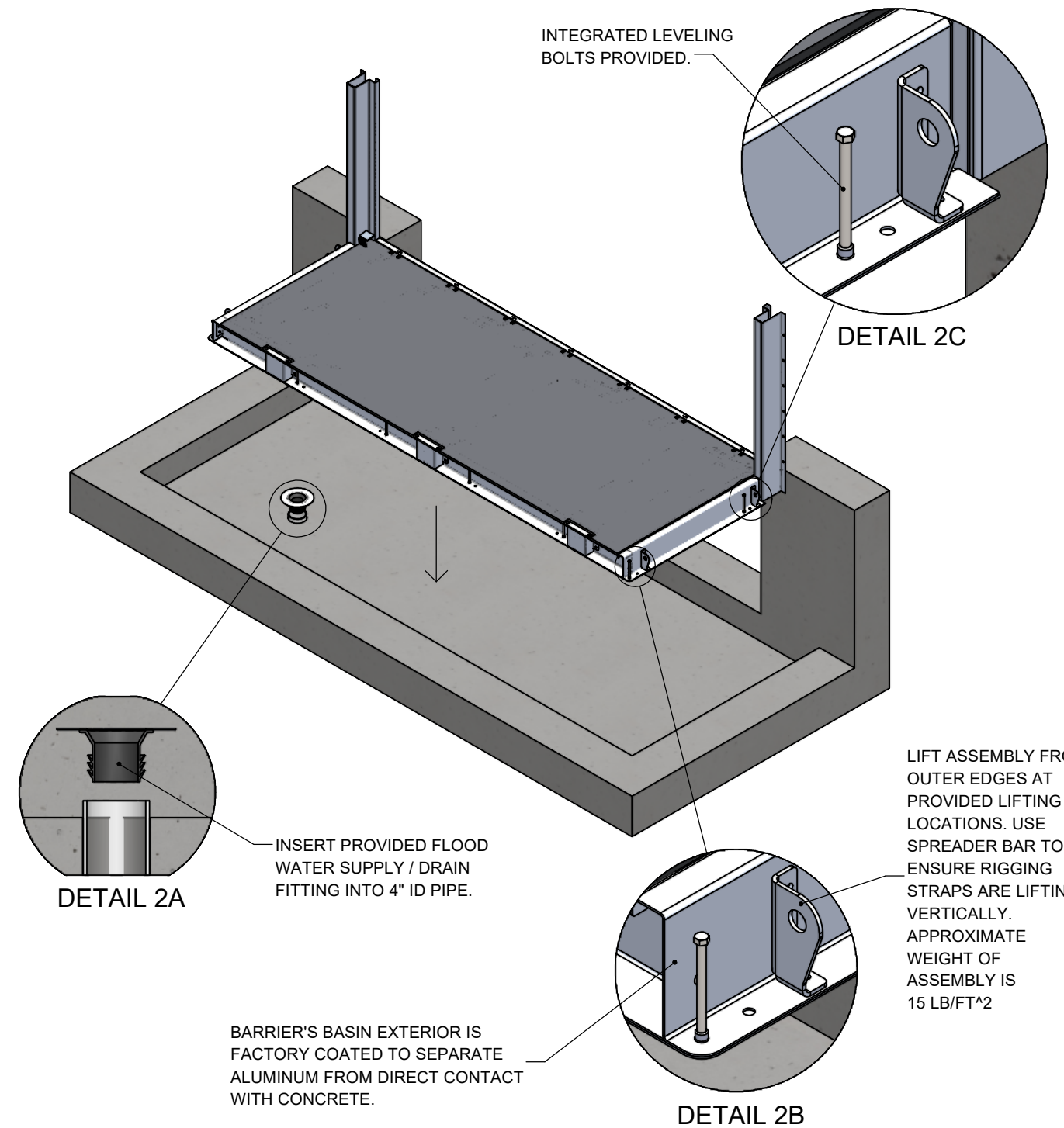
EXISTING SUBSTRUCTURE - TOP

PRODUCT HEIGHT IS TYPICALLY 6 1/2".

INSTALLER IS TO ENSURE THE SIZE OF THE BLOCK OUT ALLOWS FOR ENOUGH ROOM BETWEEN THE BARRIER AND THE EXISTING SUBSTRUCTURE SUCH THAT THE BARRIER CAN BE LEVELED AND ANCHORED AND THE CONCRETE CAN BE FULLY CONSOLIDATED ALL AROUND THE BARRIER.

TENSION TIE BACKS MAY BE REQUIRED ON LARGER MODELS AND REQUIRE STRUCTURAL SLABS FOR CONNECTION. CUSTOM DETAILS WILL BE PROVIDED BY MANUFACTURER.

STEP 2: INSERT FLOOD WATER SUPPLY / DRAIN FITTING INTO PIPE AND LIFT PRE-ASSEMBLED PRODUCT INTO PLACE AND SET ON TOP OF EXISTING SUBSTRUCTURE.



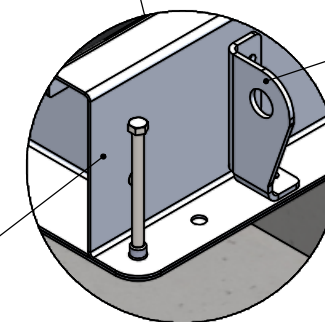
DETAIL 2A

INSERT PROVIDED FLOOD WATER SUPPLY / DRAIN FITTING INTO 4" ID PIPE.

BARRIER'S BASIN EXTERIOR IS FACTORY COATED TO SEPARATE ALUMINUM FROM DIRECT CONTACT WITH CONCRETE.

INTEGRATED LEVELING BOLTS PROVIDED.

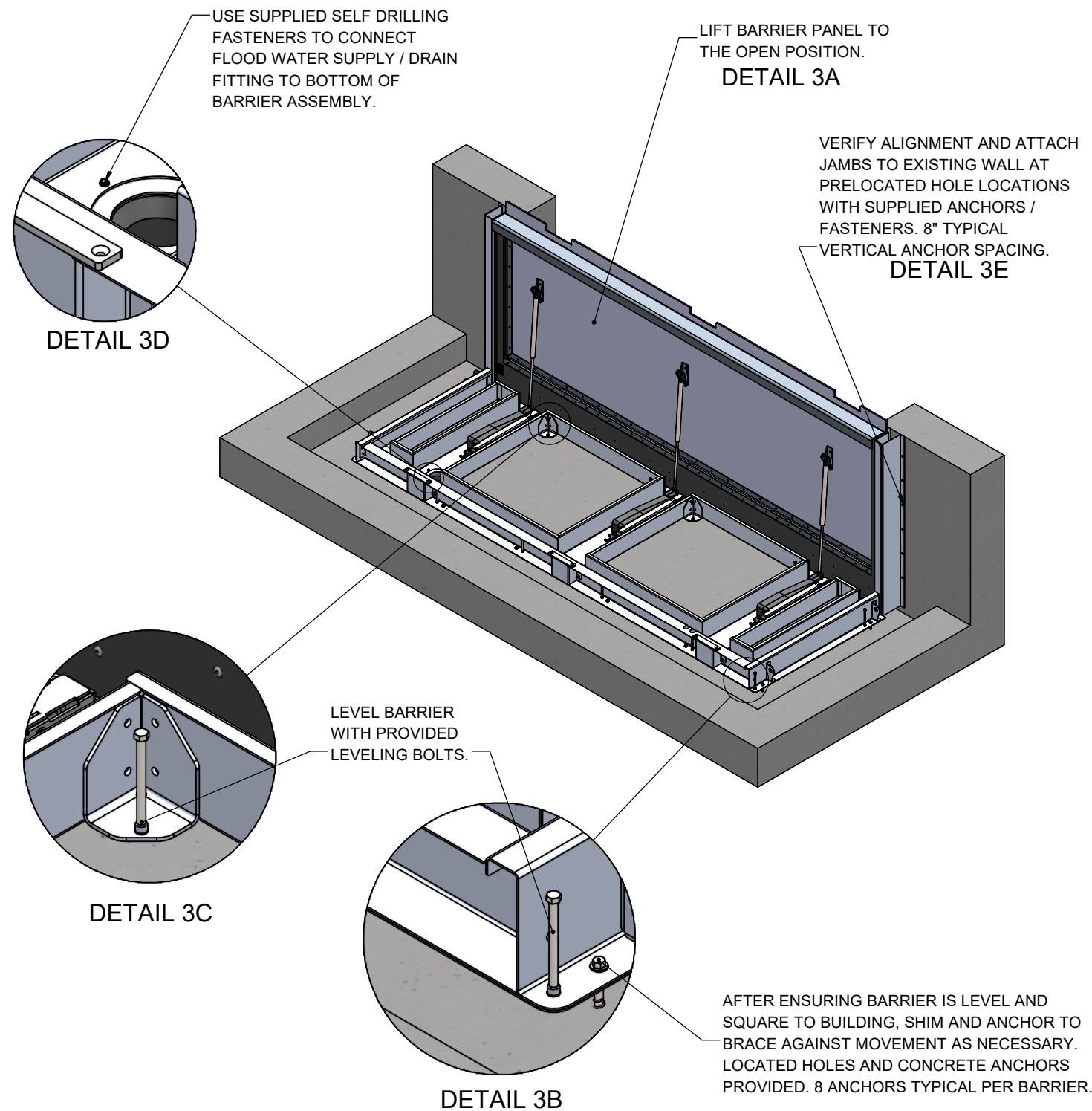
DETAIL 2C



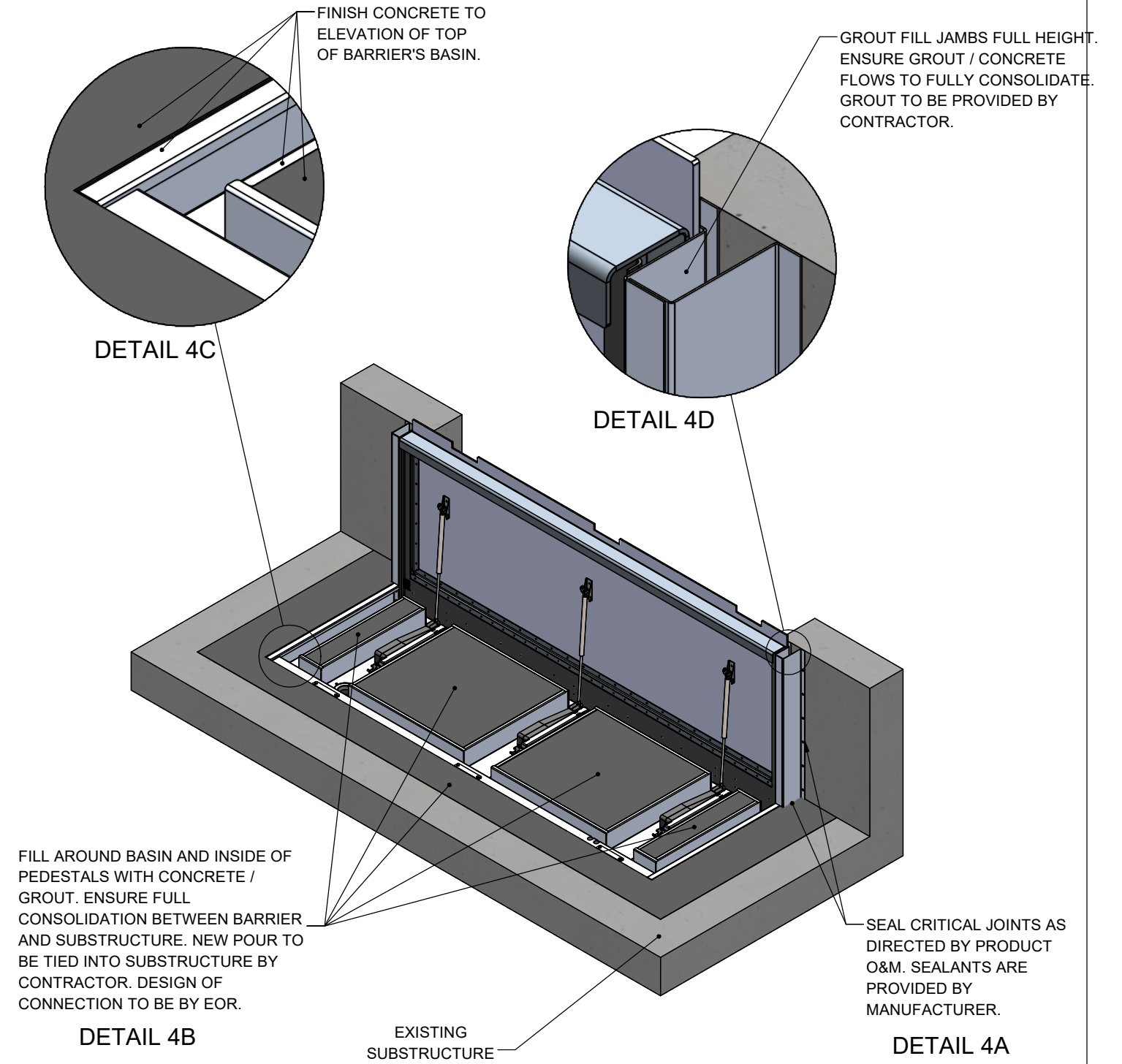
DETAIL 2B

LIFT ASSEMBLY FROM OUTER EDGES AT PROVIDED LIFTING LOCATIONS. USE SPREADER BAR TO ENSURE RIGGING STRAPS ARE LIFTING VERTICALLY. APPROXIMATE WEIGHT OF ASSEMBLY IS 15 LB/FT²

STEP 3: LEVEL WITH PROVIDED LEVELING RODS AND ANCHOR / BRACE AGAINST MOVEMENT. CONNECT VERTICAL JAMBS TO BUILDING STRUCTURE, FLOOD WATER SUPPLY / DRAIN FITTING TO BASIN.



STEP 4: POUR CONCRETE AROUND BASIN AND INTO SUPPORT PEDESTALS.



OPTIONAL FEATURES MAY REQUIRE POWER AT THE BARRIER LOCATION.

PROPRIETARY AND CONFIDENTIAL DRAWINGS ARE EXCLUSIVE PROPERTY OF PRODUCTION SPECIALTIES CORPORATION, dba PS INDUSTRIES AND CANNOT BE USED IN WHOLE OR PART WITHOUT WRITTEN CONSENT © 2022 PS INDUSTRIES ALL RIGHTS RESERVED

BH-590 REFERENCE INSTALL DRAWINGS

DATE: 3/24/2022
SCALE: NTS
SHEET #: 2 OF 2

PS Flood Barriers
1150 48th St. S
GRAND FORKS, ND 58201
PH. 701-746-4519
FAX 701-746-8340